

FB4114 - KFB4114

Traversino - Fairing upper bracket - Support gps pour carenage - Barra - Halterung zur montage am windschild - Suporte

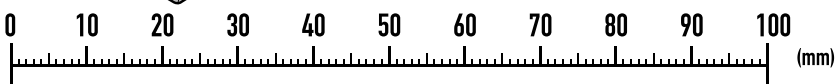
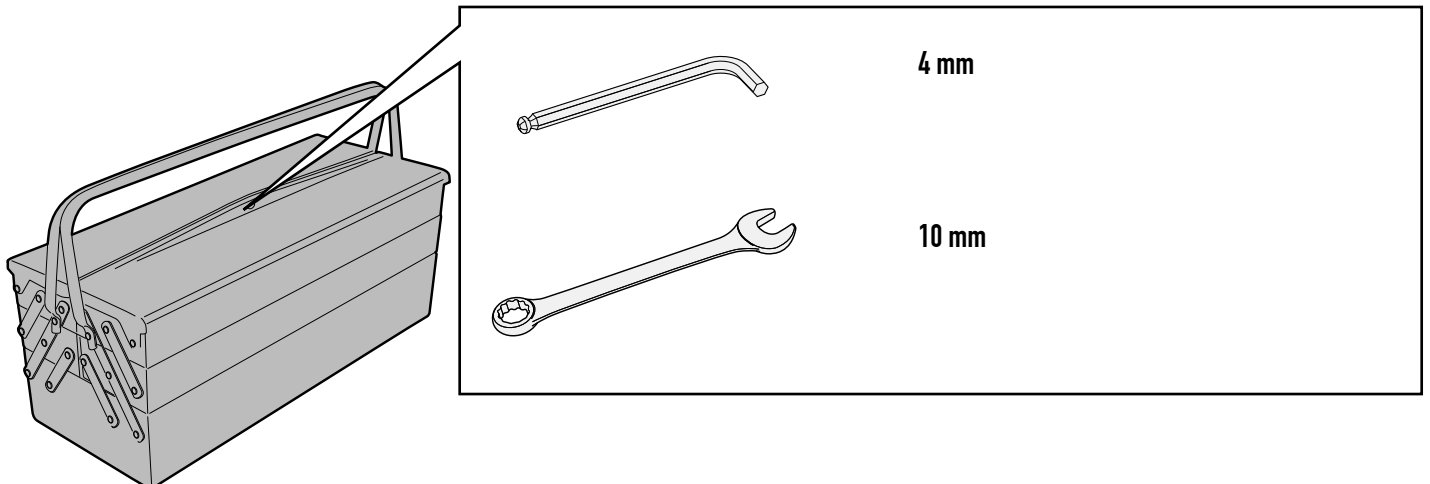
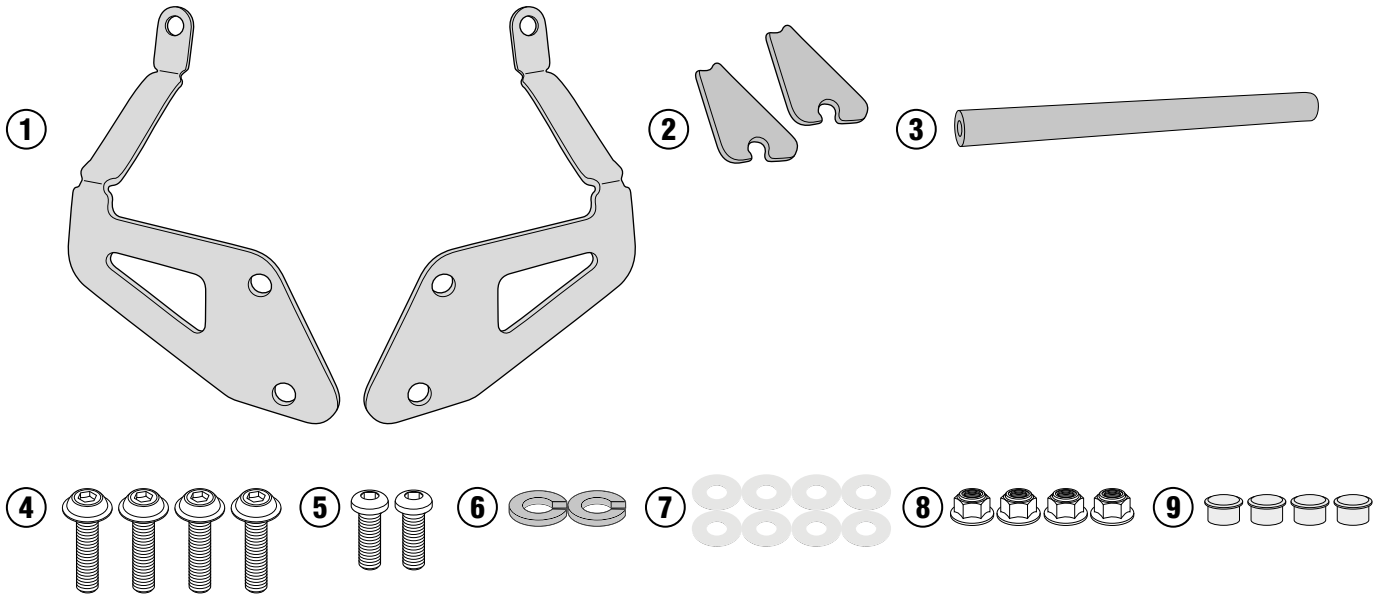
KAWASAKI VERSYS 650 (2015 - 2017)

N°	Descrizione	Caratteristiche	Codice	Quantità
1	Supporto - Support - Support Halterung - Soporte - Apoio	-	GL3437DXV GL3437SXV	2 (Dx-Sx)
2	Piastra interna - Inner plate - Plaque interne - Placa interna - Innere Platte - Placa interna	-	GL3438V	2
3	Ponte - Bridge - Pont Brücke - Puente - Ponte	-	GNB1819V	1
4	Vite - Screw Vis - Schraube Tornillo - Parafuso	TBEIFN M6x16	616TBEIFN	4
5	Vite - Screw Vis - Schraube Tornillo - Parafuso	TBEIFF M6x16	616TBEIFF	2
6	Rondella spaccata - Split washer Scheibe - Rondelle fendue Arandela seccionada - Arruela quebrada	Ø6	Z1063	2
7	Rondella - Washer - Rondelle Scheibe - Arandela - Arruela	Rondella in Nylon	Z1979	8
8	Dado - Bolt - Erou Mutter - Tuerca - Porca	Dado Autobloccante Flangiato M6	6DADIAFLN	4
9	Tappo - Cap Fiche - Stecker Enchufe - Bonè	-	10COP	4

FB4114 - KFB4114

Traversino - Fairing upper bracket - Support gps pour carenage - Barra - Halterung zur montage am windschild - Suporte

KAWASAKI VERSYS 650 (2015 - 2017)



FB4114 - KFB4114

Traversino - Fairing upper bracket - Support gps pour carenage - Barra - Halterung zur montage am windschild - Suporte

KAWASAKI VERSYS 650 (2015 - 2017)

